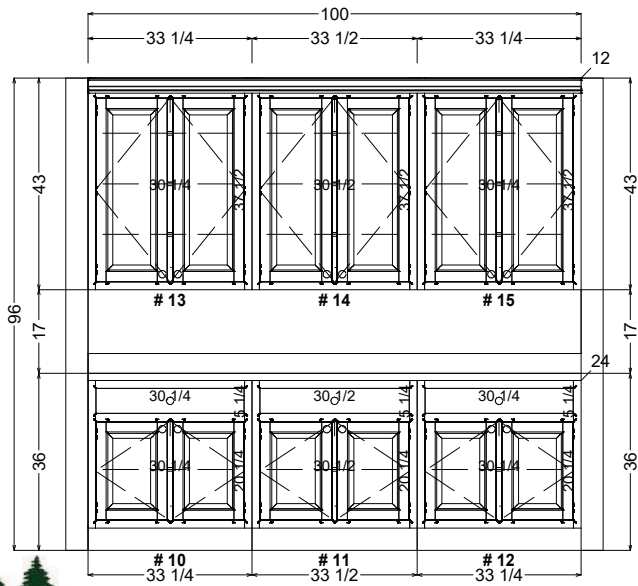
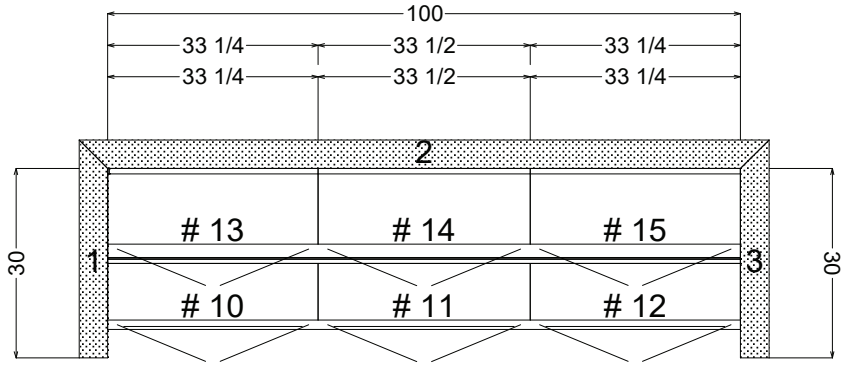


Customer Initials: _____ Date: _____



1720 W Gordon Ave
Layton, UT 84041
Phone: 801-444-9663 Fax: 801-444-9667

Contractor: HALL, LEN	Ship To / Lot #: OR HALL	Contact:	Drawing By: MEGAN
Address: 1727 E. 1225 N.	Address: 1727 E. 1225 N.	Contact Phone #: 801-645-8991	Room Name: KITCHENETTE
City: Layton State: UT Zip: 84040	City: Layton State: UT Zip: 84040	Job #: 13562108	Room Finish: SC/SW-708140
			Date: 08/10/21



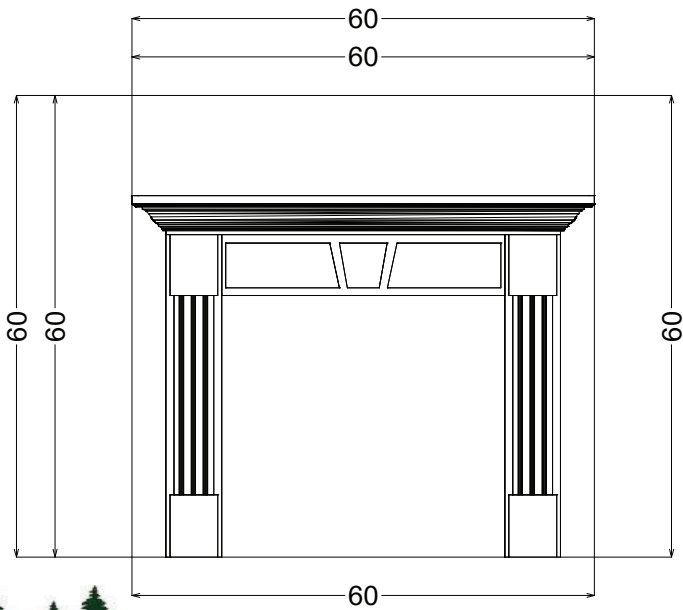
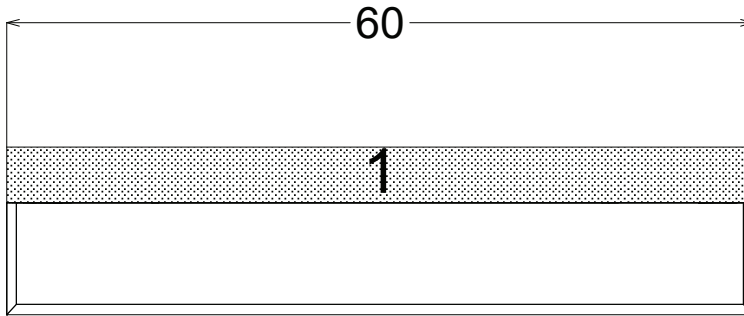
Customer Initials: _____ Date: _____



1720 W Gordon Ave
Layton, UT 84041

Phone: 801-444-9663 Fax: 801-444-9667

Contractor: HALL, LEN		Ship To / Lot #: OR HALL		Contact:		Drawing By: MEGAN	
Address: 1727 E. 1225 N.		Phone #: 801-645-8991		Address: 1727 E. 1225 N.		Contact Phone #: 801-645-8991	
City: LAYTON		State: UT		Zip: 84040		Room Name: FAMILY ROOM	
City: LAYTON		State: UT		Zip: 84040		Job #: 13562108	
						Room Finish: SC/SW-708140	
						Date: 08/10/21	



Customer Initials: _____ Date: _____



1720 W Gordon Ave
Layton, UT 84041

Phone: 801-444-9663 Fax: 801-444-9667

Contractor: HALL, LEN		Ship To / Lot #: OR HALL		Contact:		Drawing By: MEGAN	
Address: 1727 E. 1225 N.		Phone #: 801-645-8991		Address: 1727 E. 1225 N.		Contact Phone #: 801-645-8991	
City: LAYTON		State: UT		Zip: 84040		Room Name: MANTEL	
City: LAYTON		State: UT		Zip: 84040		Job #: 13562108	
						Room Finish: SC/SW-708140	
						Date: 08/10/21	